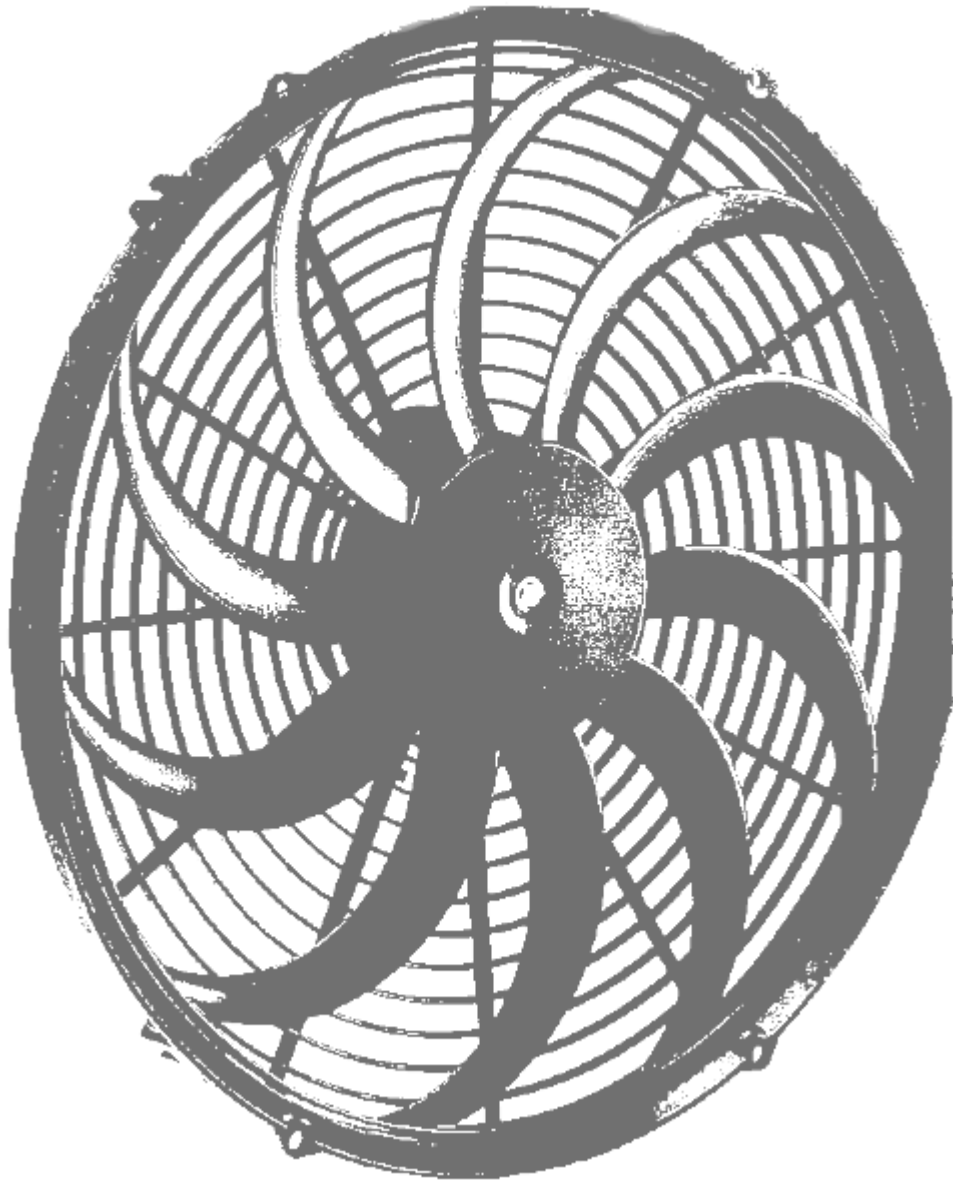
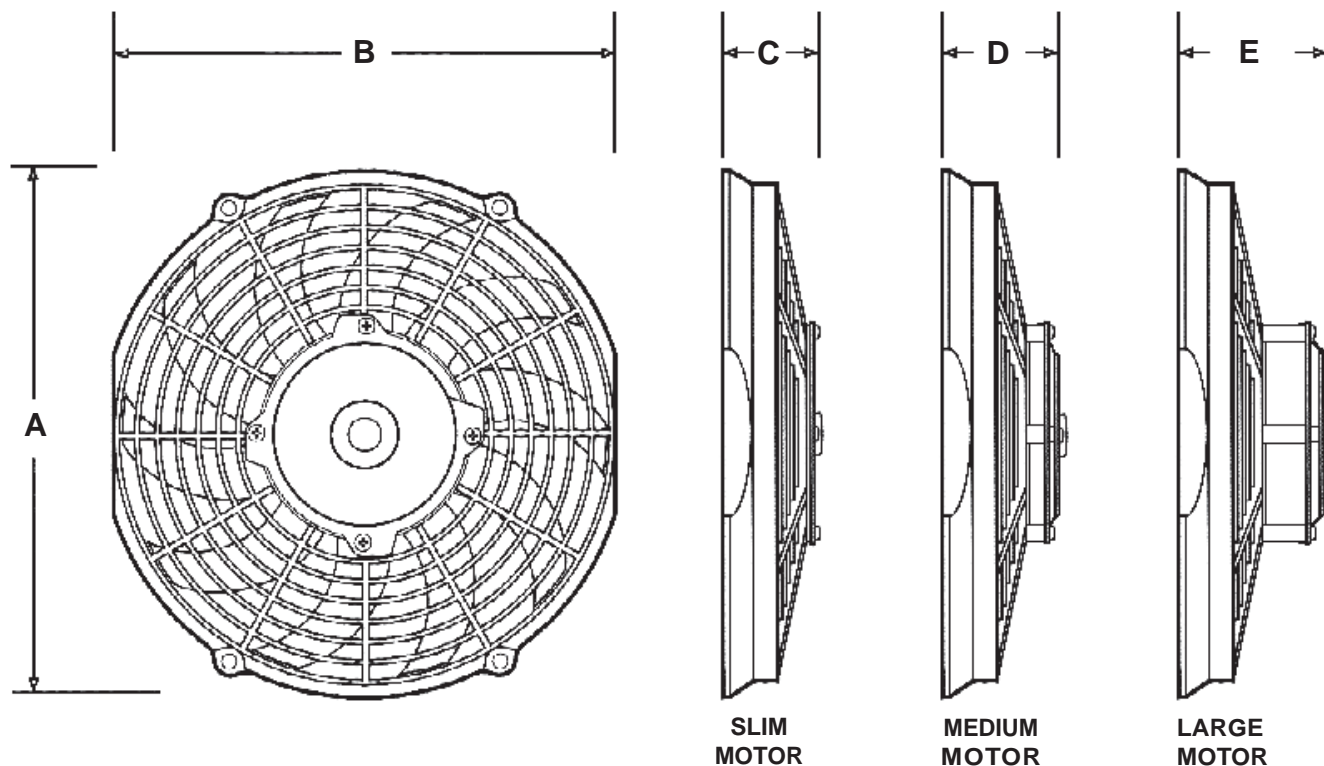


# ELECTRIC COOLING FANS



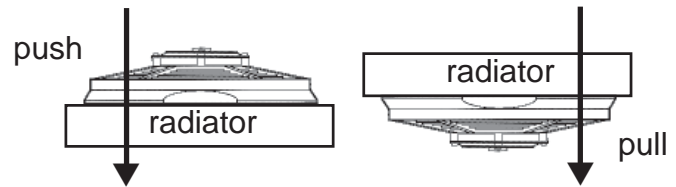
## SPECIFICATIONS - DIMENSIONS



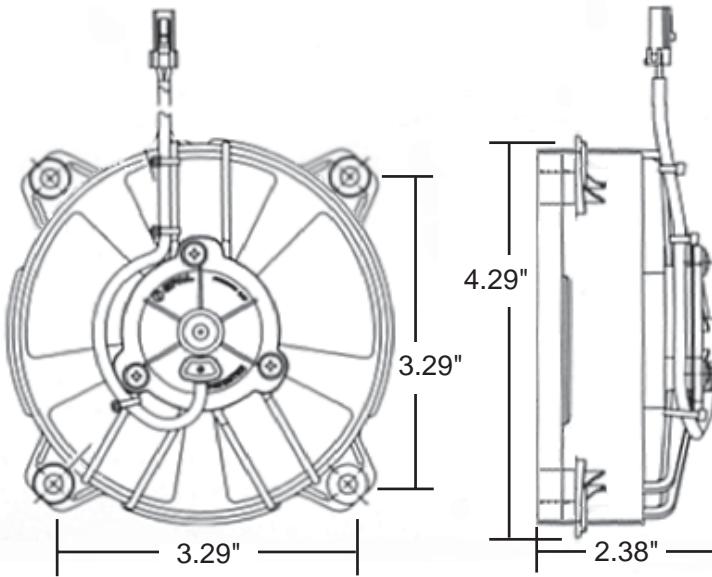
FAN BLADE	DIMENSIONS				
	A	B	C	D	E
6.5" (160mm)	7.25"	7.0"	2.05"	N/A	N/A
7.5" (205mm)	8.25"	8.0"	2.05"	N/A	N/A
9.0" (228mm)	9.75"	9.25"	2.05"	N/A	N/A
10.0" (250mm)	11.0"	10.5"	2.05"	N/A	N/A
11.0" (280mm)	12.25"	11.5"	2.05"	2.50"	N/A
12.0" (300mm)	13.25"	12.5"	2.05"	2.50"	3.40"
13.0" (330mm)	14.25"	13.5"	2.05"	2.50"	3.40"
14.0" (350mm)	15.25"	14.5"	2.05"	2.50"	3.40"
16.0" (406mm)	16.25"	15.75"	2.05"	2.50"	3.40"

**Small Electric Fans**

Using a small electric fan to increase air flow through an oil cooler - or other cooling device mounted in a poor air flow situation - is especially helpful. For these special applications we can supply a number of small fans ranging from 4 to 7.5 inches in diameter.



Fans blades are designed in either pusher and puller blade configurations for maximum performance. This is a very important feature because as-much-as 25% of a fans efficiency is lost when the blade is turning opposite it's designed rotation, (i.e. using a pusher fan to pull).



**4" Electric Fan**

**max airflow** 147cfm (pull)  
125cfm (push)

**electrical** 12 volt  
1.9 - 2.5 amp

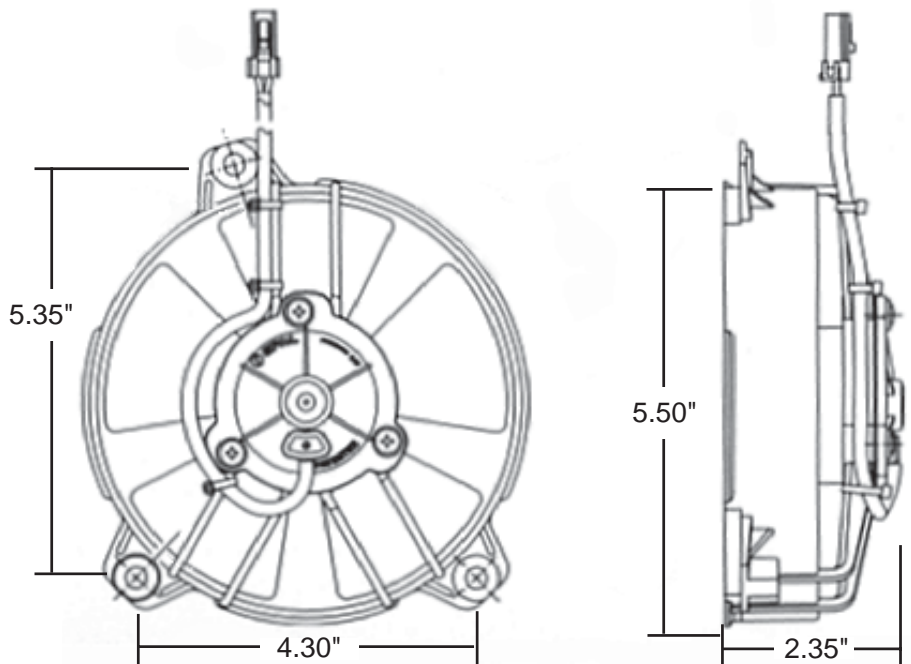
**part#** pull fan A4FAN-PL  
push fan A4FAN-PU  
\$79.40

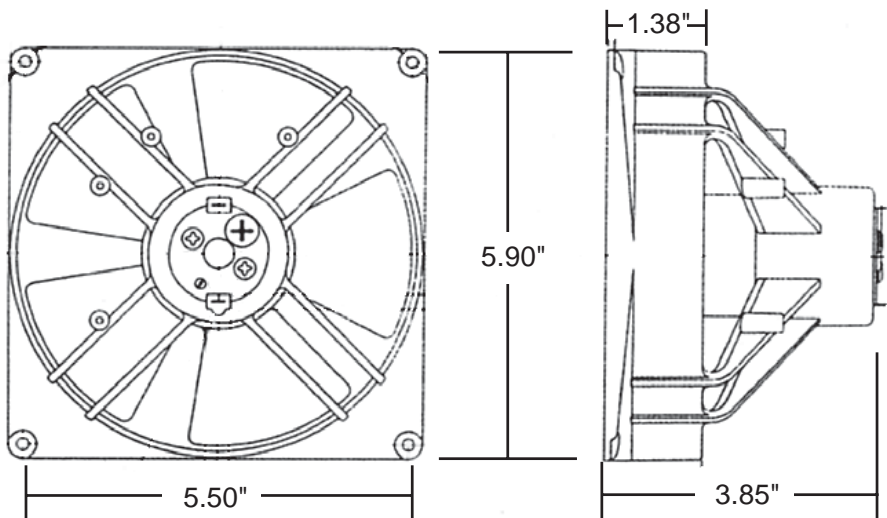
**5.2" Electric Fan**

**max airflow** 312 cfm (pull)  
312 cfm (push)

**electrical** 12 volt  
1.9 - 3.0 amp

**part#** pull fan A52FAN-PL  
push fan A52FAN-PU  
\$79.40





**5.6" Electric Fan**

**max airflow** 450cfm

**electrical** 12 volt  
1.9 - 2.5 amp

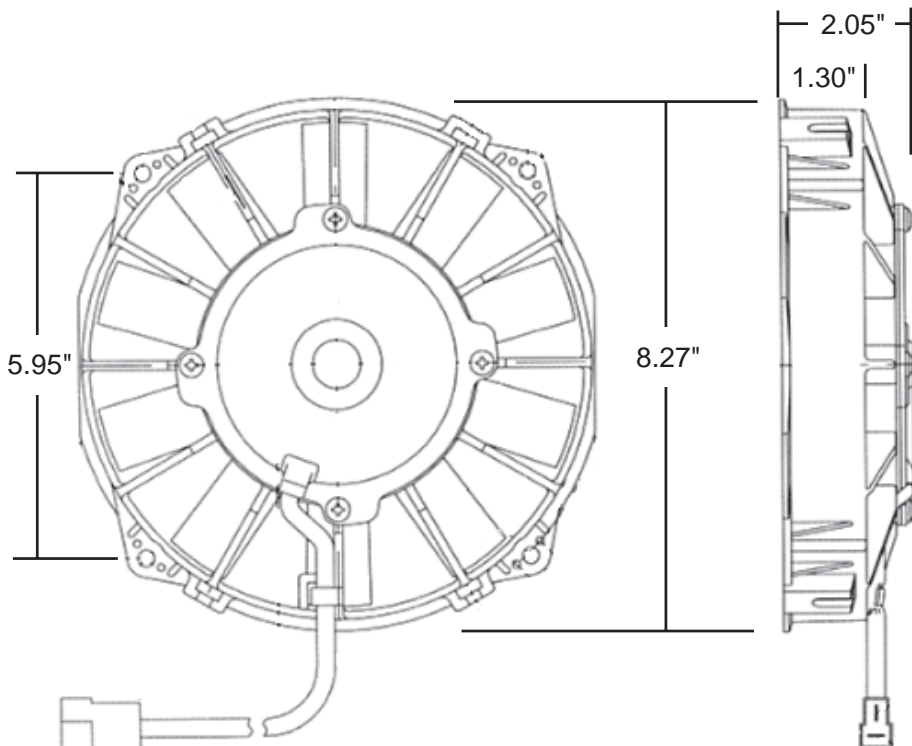
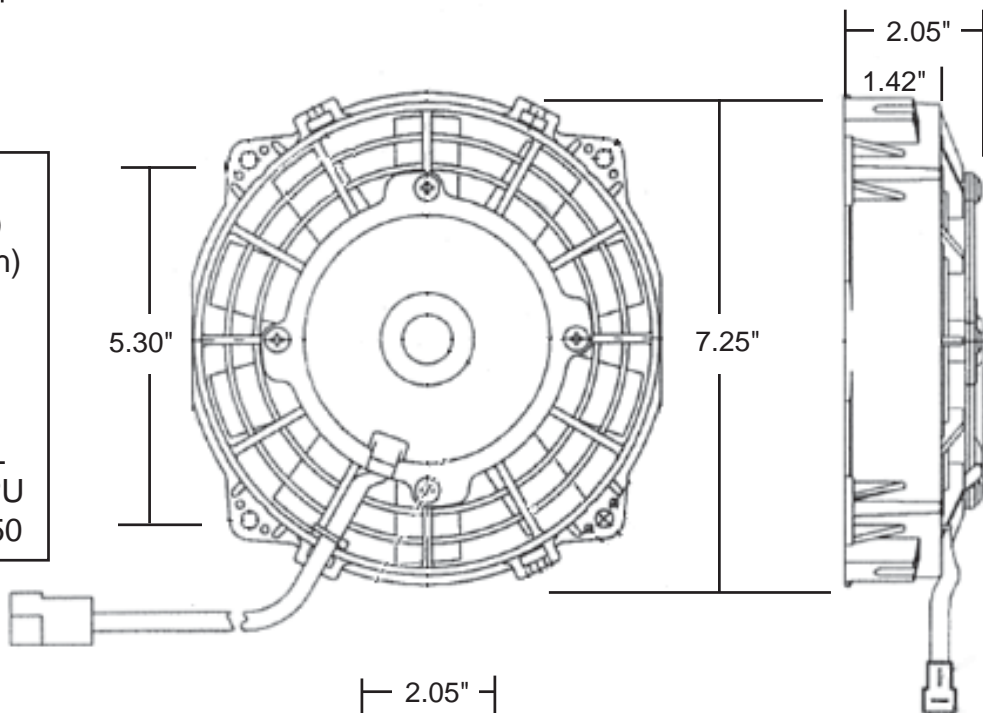
**part#** pull fan A56FAN-PL  
push fan A56FAN-PU  
\$72.50

**6.5" Electric Fan**

**max airflow** 330cfm (pull)  
330cfm (push)

**electrical** 12 volt  
6.3 - 6.5 amp

**part#** pull fan A6FAN-PL  
push fan A6FAN-PU  
\$82.50



**7.5" Electric Fan**

**max airflow** 440cfm (pull)  
440cfm (push)

**electrical** 12 volt  
5.0 - 5.5 amp

**part#** pull fan A7FAN-PL  
push fan A7FAN-PU  
\$82.50





**Fan Accessories**

**Fan Switches & Associated Parts**



Description	part #	price \$
Fan Switch 190 Deg	FS190	\$21.00
-8AN Male/Female	GA8MF-2	\$12.60
-8AN Male/Male	GA8MM-2	\$10.60
-10AN Male/Female	GA10MF-2	\$16.25
-10AN Male/Male	GA10MM-2	\$14.25
-12AN Male/Female	GA12MF-2	\$19.50
-10AN Male/Male	GA12MM-2	\$17.10

*Fan Switch:* Small preset 190 degree switch with 1/8" NPT male thread can be fitted to oil coolers or plumbing to activate auxiliary fan(s).

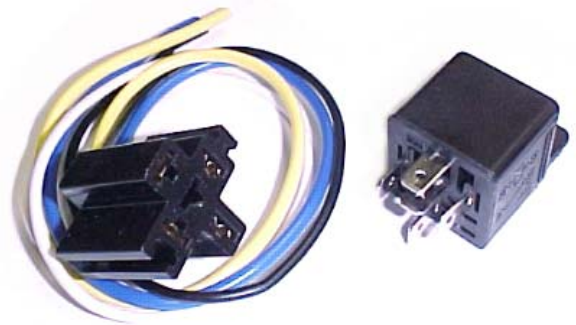
*Female/Male:* Installs over an existing -AN male. Provides (1) 1/8" NPT port for fan switch or gauge sender. Adds about 1" additional length depending on size.

*Male/Male:* Installs in hose. Provides (1) 1/8" NPT port for fan switch or gauge sender. Adds about 1 1/2" additional length to hose depending on size.

**Fan Relay 12v with Harness**

Description	part #	price \$
12v Relay	Relay12	\$8.50

Fans should be supplied power through a relay which provides power directly from 12v source. Use a fan switch (above) or manual switch (you provide) to trigger relay. Harness/plug included, 12 volt 30/40 amp rated.



**Fan Wiring Kit - Adjustable 150f - 240f**

Description	part	price \$
Fan Wiring Kit Adjustable	AFTR1	\$79.00

Adjustable turn-on range 150f - 240f fan wiring kit uses push-in probe sensor. Turn-off is -10f lower than turn on. Controller has simple potentiometer control for temperature set and incorporates 40amp relay. Override circuit is built in for manual switch or trigger with a/c compressor (on). Wiring and fuse holder is included. Sensor is a serviceable part.