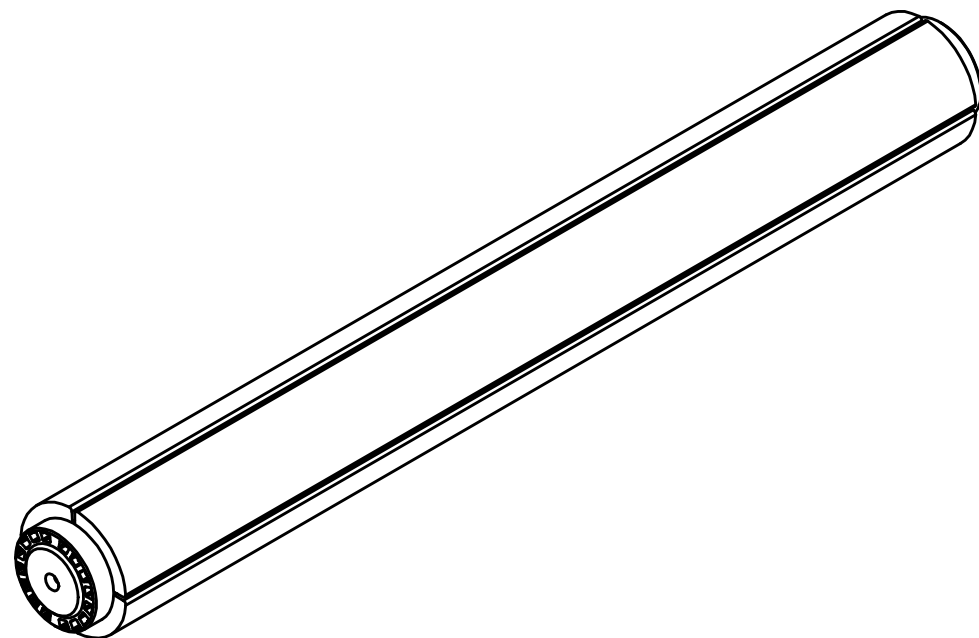
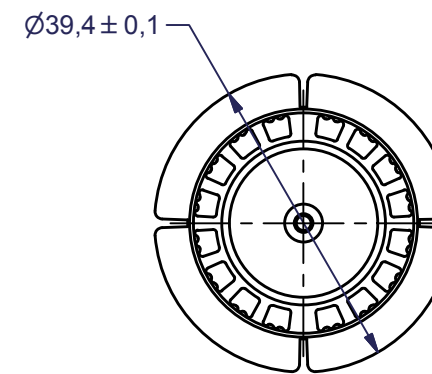
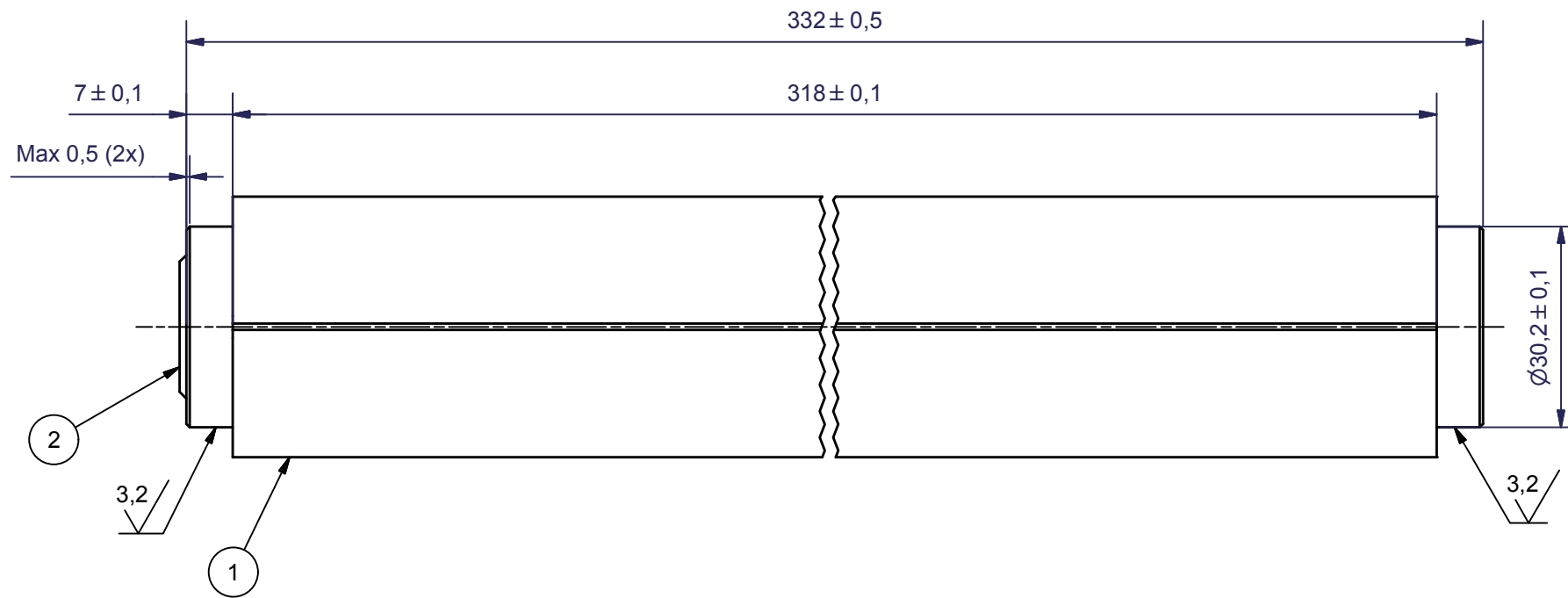



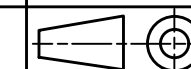
SURFACE UNLESS SPECIFIED ARE 3,2

TOLERANCE UNLESS SPECIFIED ARE ISO 2768-mK

Ersätter SA00201C
Replaces SA00201C

SHARP EDGES BROKEN



2	1	PLUG	TB00175B	37/39 with ø2mm hole.
1	1	CORE	CR00214A	ø39,4-332
ITEM	REQD	TITLE	PART NUMBER	DESCRIPTION
CONSTR		DRAWN BY	CHECKED	TITLE
		PLA		CORE
 Laminova Heat Exchanger Systems				DESCRIPTION
				Intercooler 39,4-332
			SCALE	DATE
			1:1 A3	2011-10-12
			REVISION	
			A	
			MATERIAL	
			DRAWING NO	
			CA000098	

This is the property of Laminova Production AB, Sweden and must not be copied without our permission, and the contents thereof must not be imparted to a third party or be used for any unauthorized purpose. Contravention will be prosecuted.