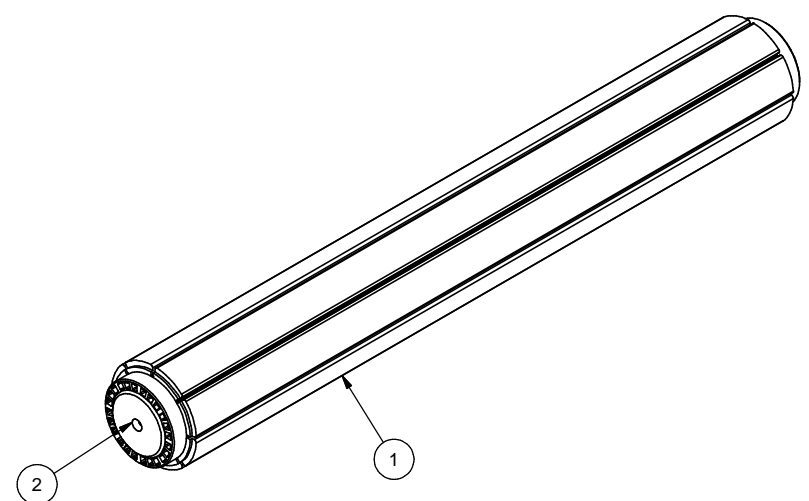
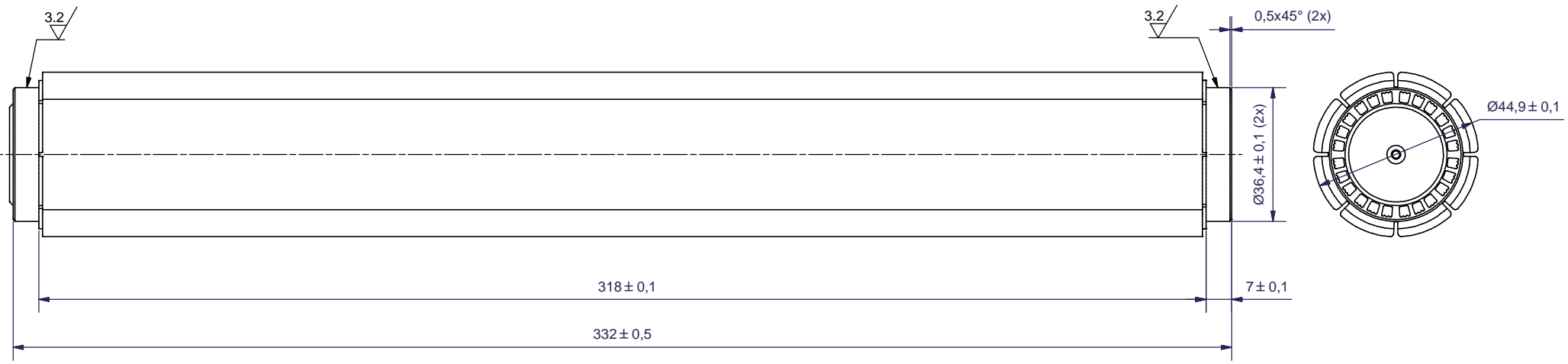


TOLERANCE UNLESS
SPECIFIED ARE ISO 2768-mK

NO	REVISION	BY	DATE
B	Plug TB00232 was TB00141	MP	2005-08-24
C	Core CR00151C was CR00151B	UL	2009-04-15



ITEM	REQ	TITLE	PART NUMBER	DESCRIPTION
2	1	PLUG	TB00232A	43/45 with ø2mm hole
1	1	Core IC45	CR00151C	IC45-332

<small>This is the property of Laminova Production AB. Sweden All rights reserved. This drawing and its contents cannot be reproduced, stored in a retrieval system, or transmitted in any form or by any means, electronic, mechanical, photocopying, recording, or by any information technology, without the prior written permission of Laminova Production AB. This document is intended for internal use only. It is not to be used for any unauthorized purpose. Consequences will be prosecuted.</small>	CONSTR	DRAWN BY	CHECKED	TITLE	SCALE	DATE	
	PL	UL	RH	Core with Plug	1:1	2009-04-15	
					DESCRIPTION	REVISION	
					IC45-332P	C	
MATERIAL						DRAWING NO	
							CA00001C